

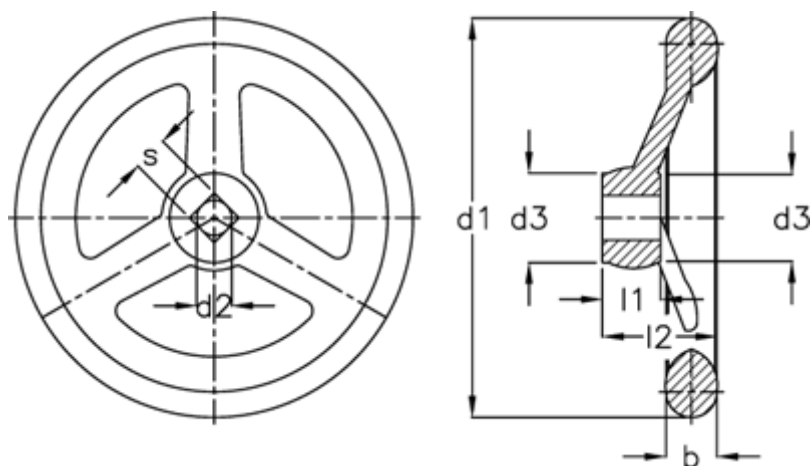
Data Sheet



Article number: 20304281

Description: E+G Handwheel
DIN 950-AL-100-K12-A

Measures



b	= 15
d1	= 100
d2 H7	= 12
d3	= 26
l1	= 17
l2	= 33
Number of spokes	= 3